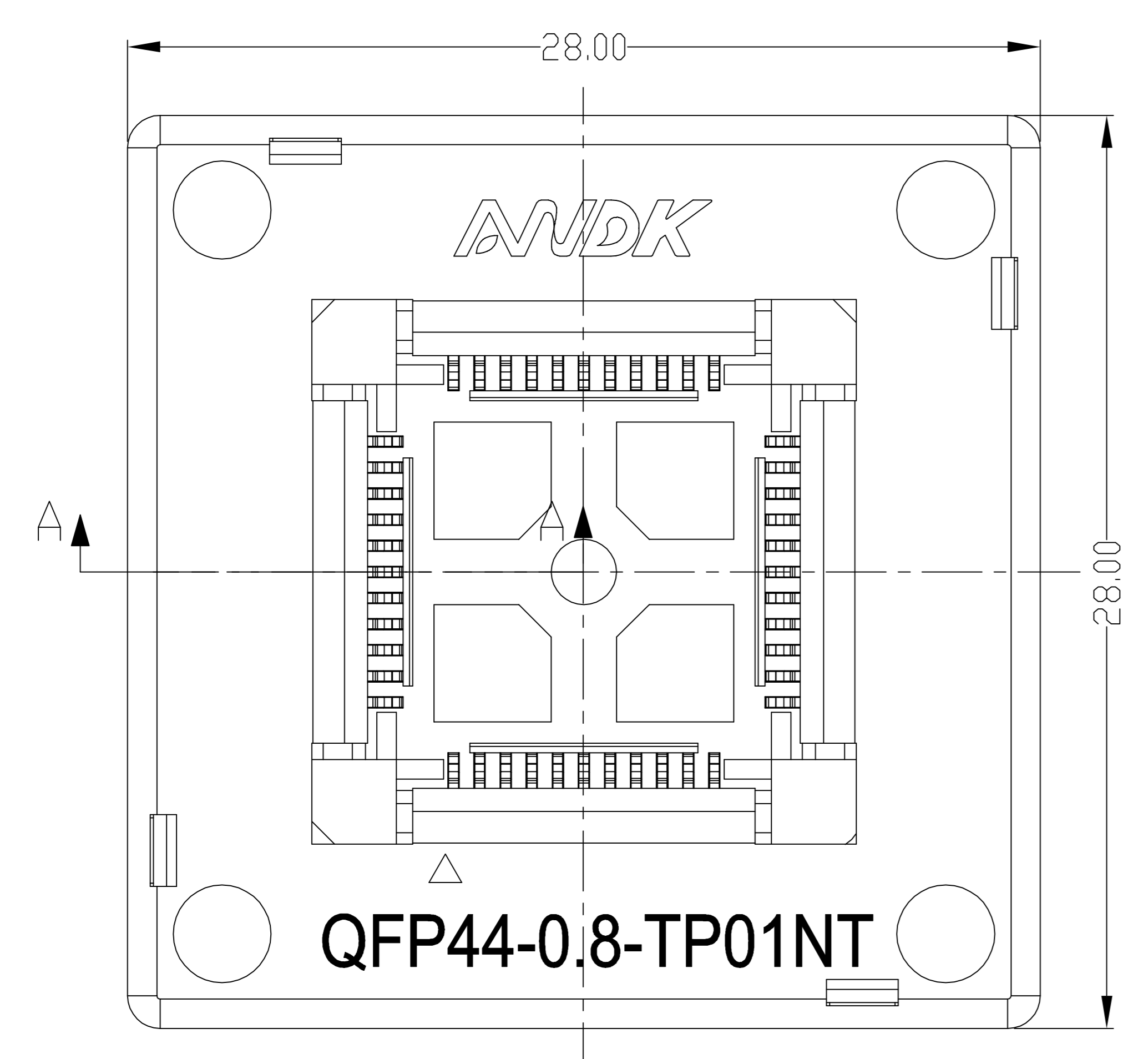
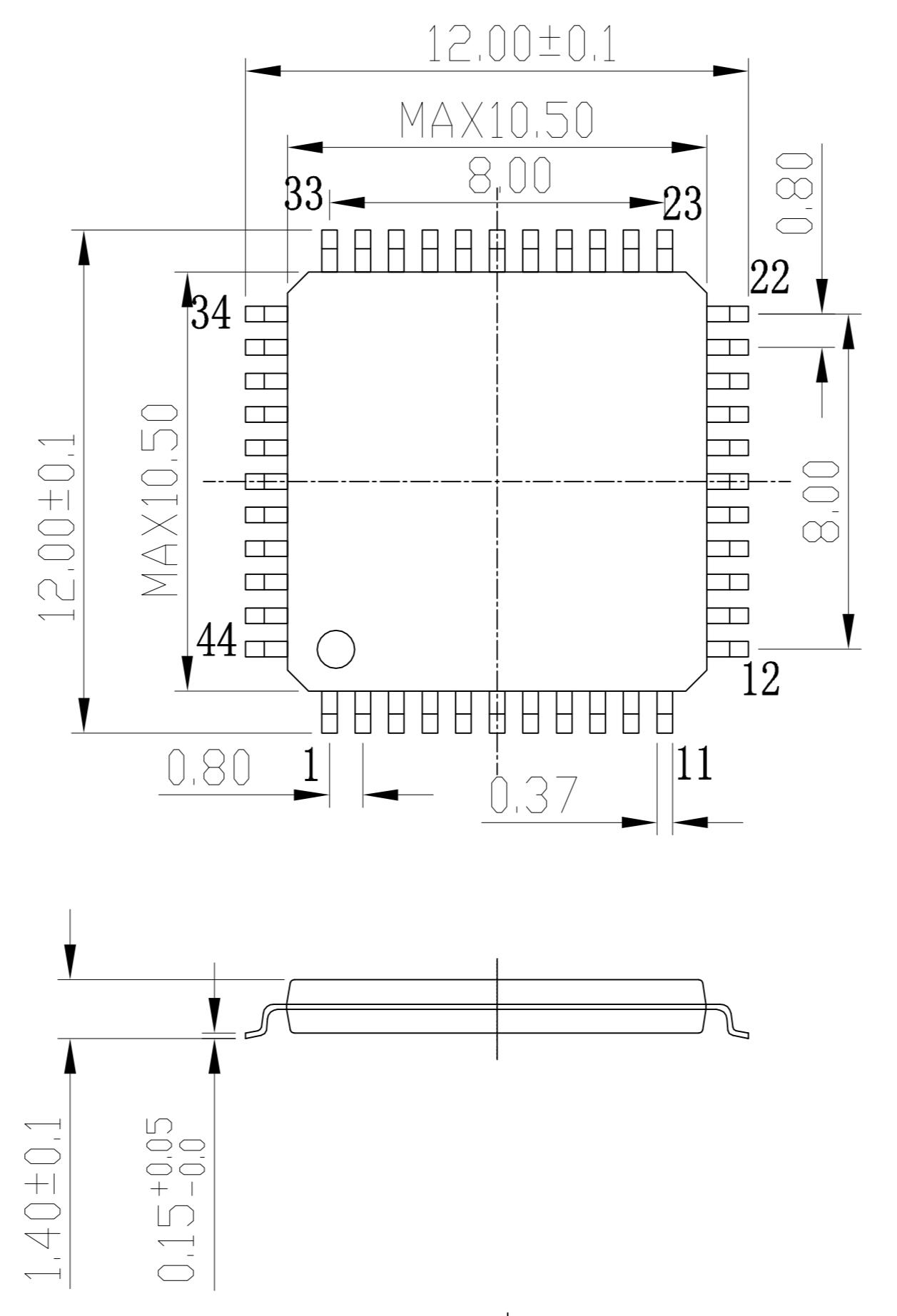


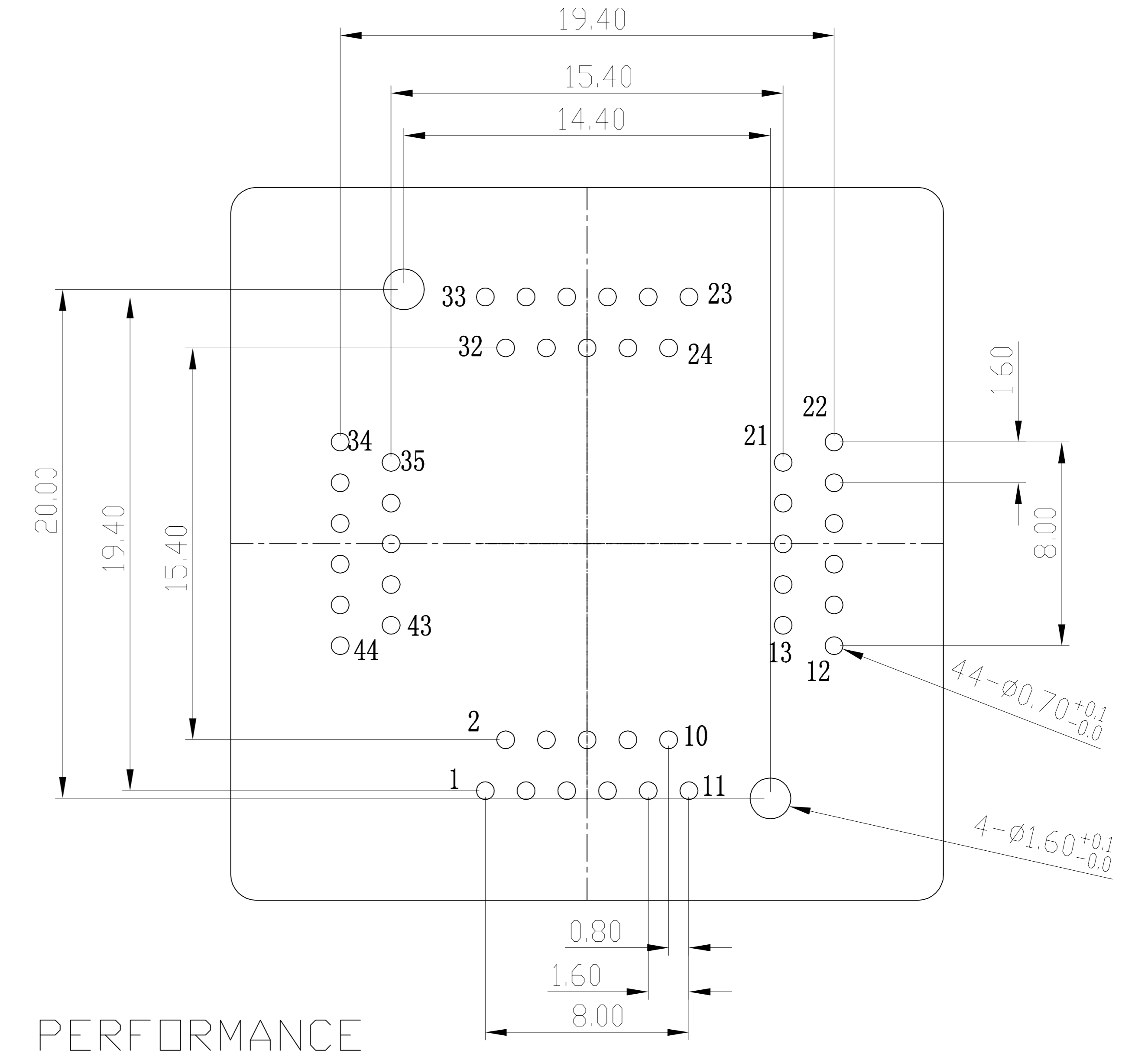
REVISION	DESCRIPTION	CHECK	APP	DATE	REV. NOTICE NO
△ 1					
△ 2					
△ 3					



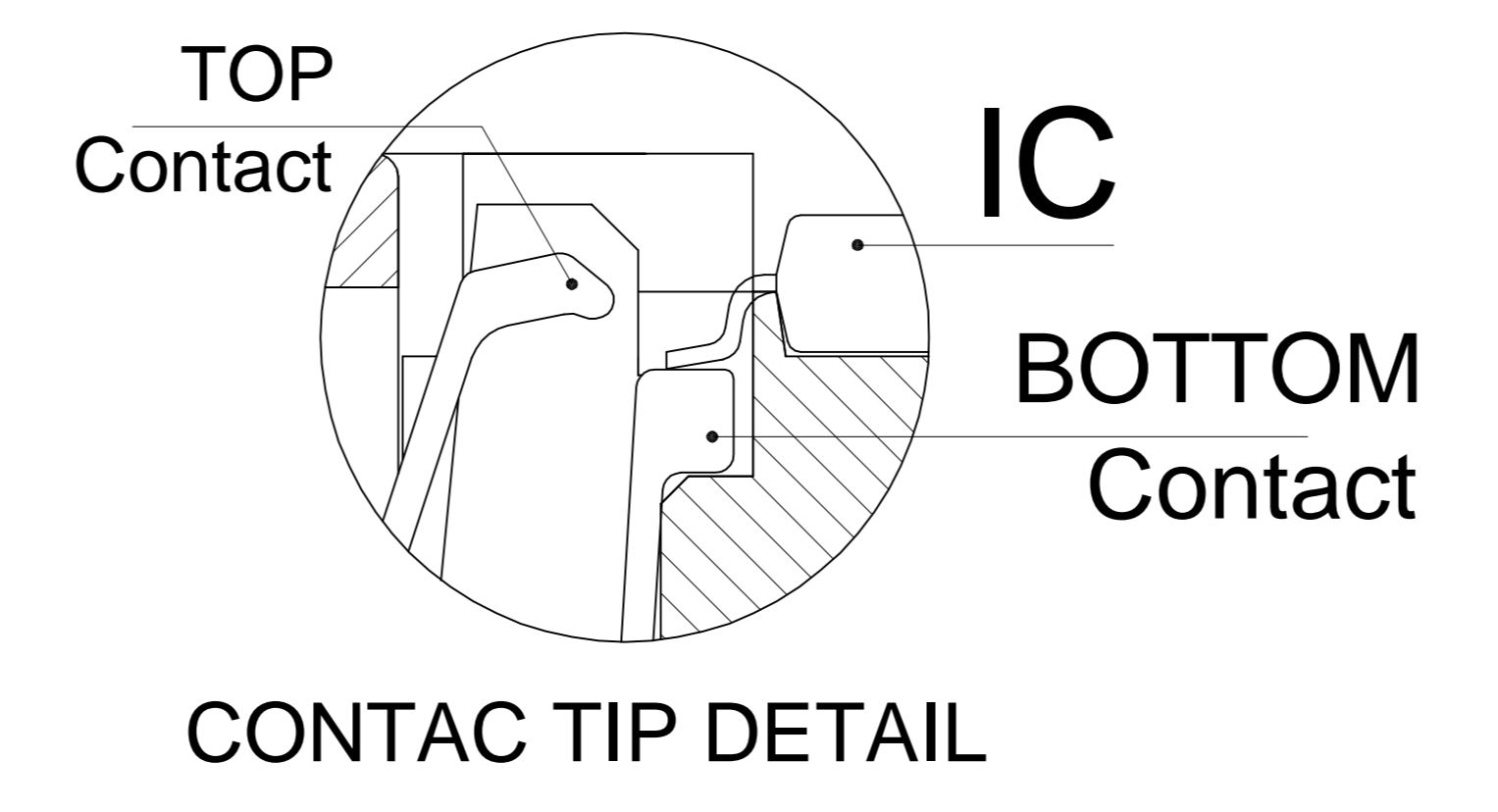
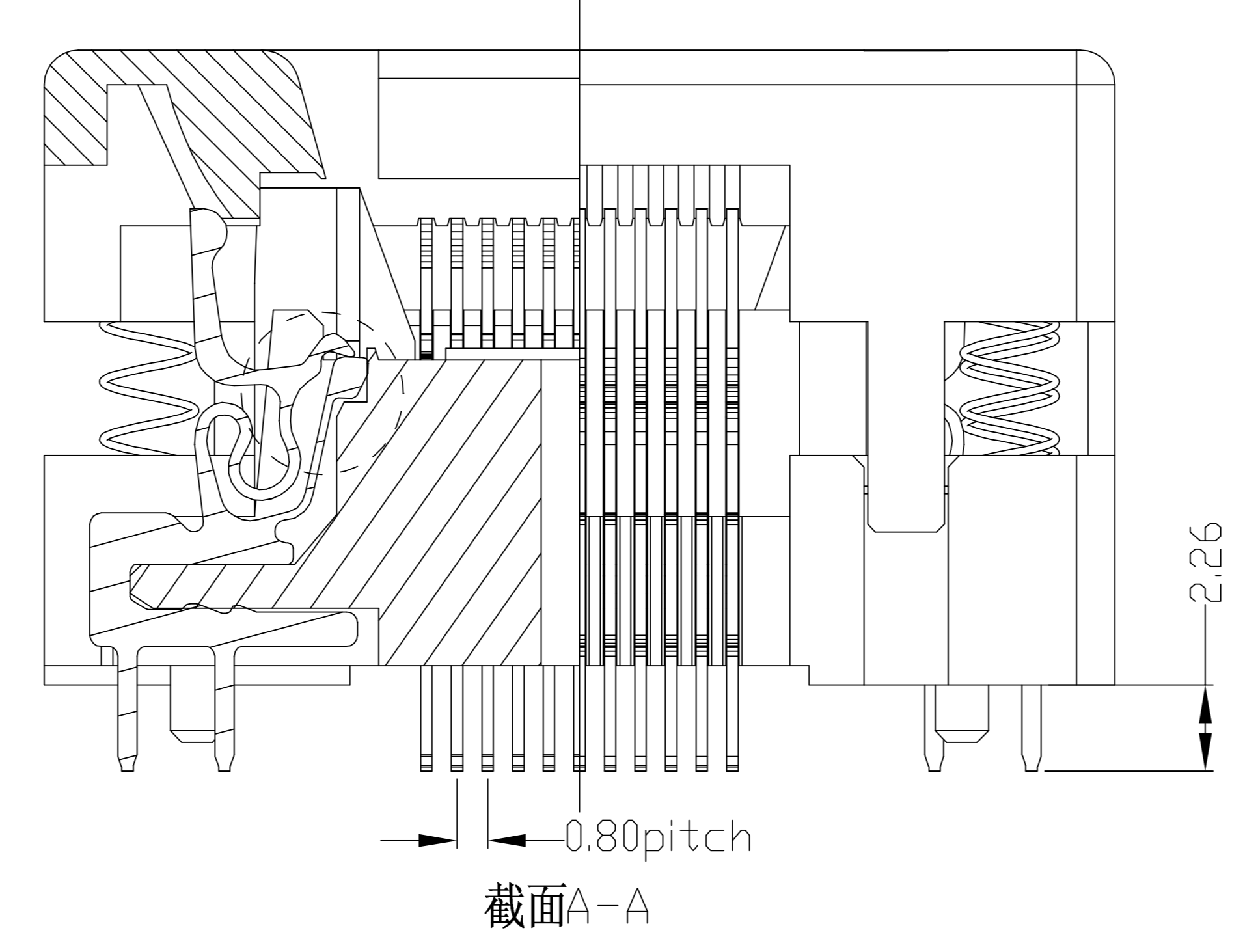
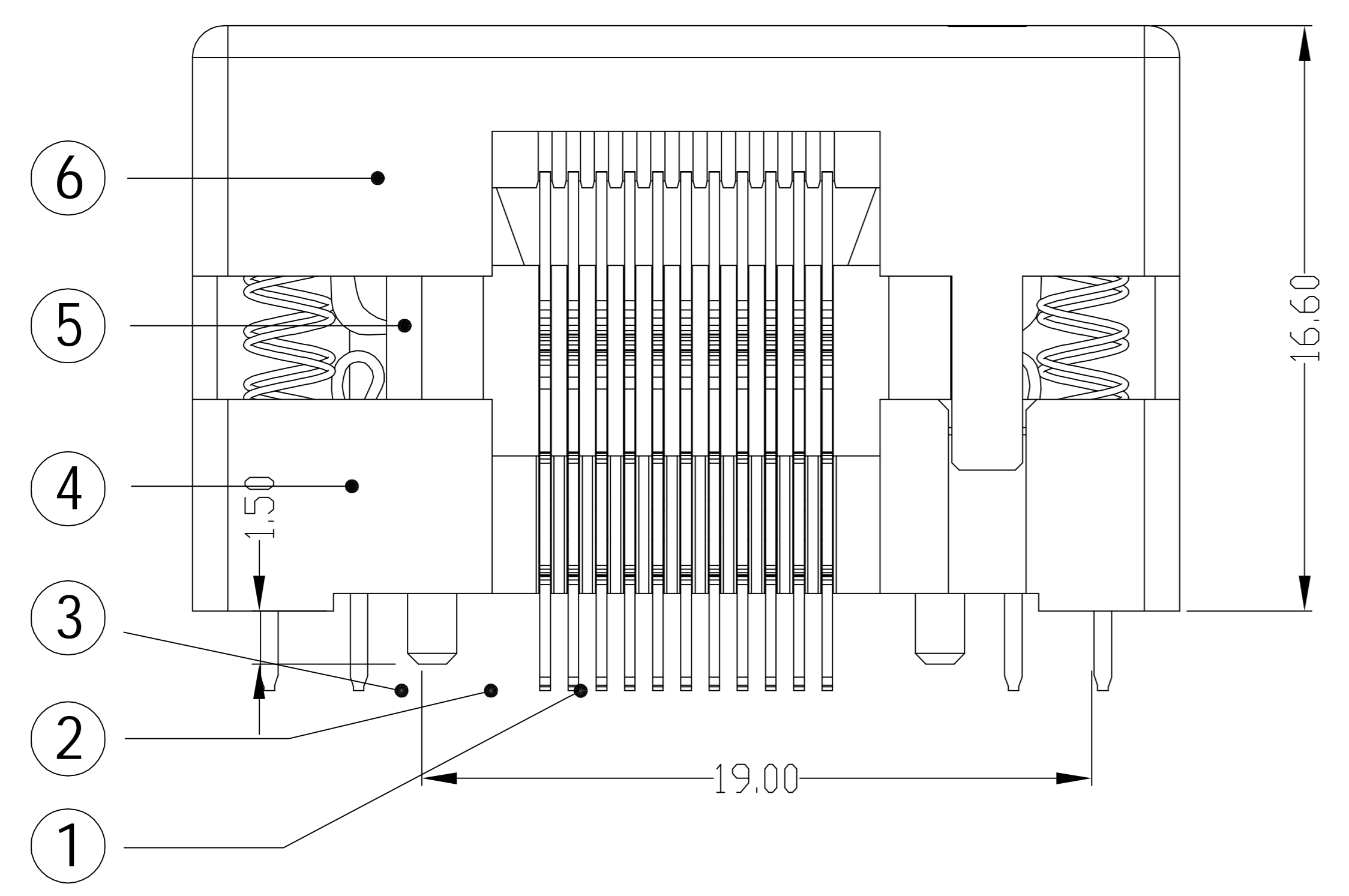
### APPLICABLE IC



### PCB PATTERN (TOP VIEW)



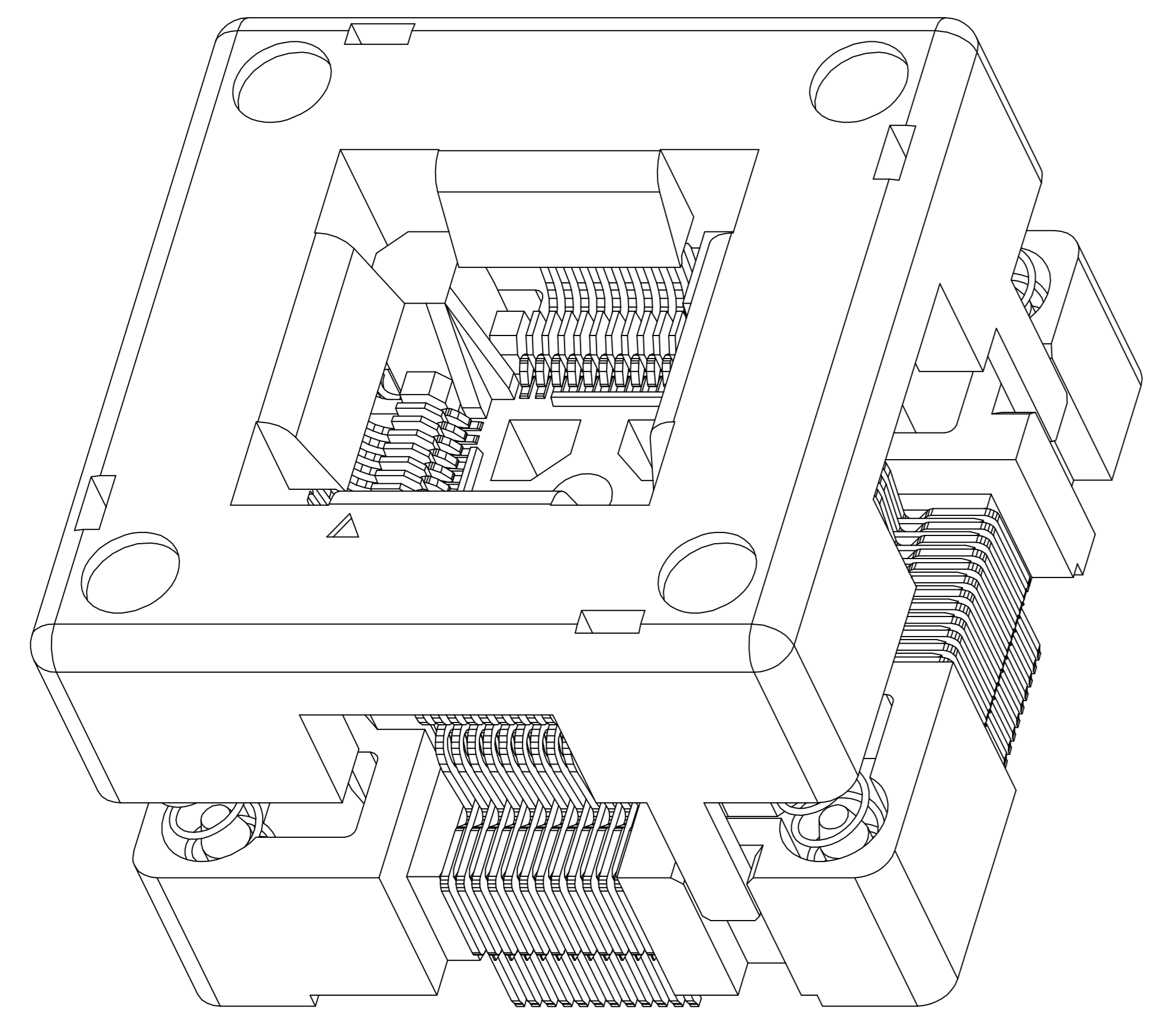
Insertion



### PERFORMANCE

- 1、Insulation Resistance: 1000MΩ Min.At DC 500V
- 2、Dielectric Withstanding Voltage For 1 Minute At AC500V
- 3、Contact Resistance(Initial) 100mΩ MAX at 10mA
- 4、Rated Current: 1.0A.
- 5、Operation Temperature range -65°C ~+150°C
- 6、Terminal strength against pulling 0.5Kg(1min)
- 7、Insertion Min10000 cycle (Mechanical)
- 8、Material: Body:PAI,PES; Contact:BeCu,Au plating(Ni-base)

CONTACT LEAD  
W0.45X0.25



No	Part Number	Name	Material	Q/ty	Note
6	QFP48-0.5-XCR	COVER	PEI/PES	1	BLACK
5	30-B-4515X	SPRING	SUS	4	FOR COVER
4	QFP48-0.5-XBY	BODY	PEI/PES	1	BLACK
3	QFP48-0.5-XCTC	CONTACT	BeCu	0	FOR COVER
2	QFP48-0.5-XCTB	CONTACT	BeCu	20	BLACK
1	QFP48-0.5-XCTA	CONTACT	BeCu	24	Au PLATING

TOLERANCE	PROJECTION	GENERAL TOLERANCES	±0.10	TITLE	QFP44-0.8 SOCKET
X. ± 0.50	DIMENSION: mm	REVISION	A	CLASS	QFP44-0.8-TP01NT
X.X ± 0.25	APP:	SCALE: 1:1		DRW. NO	01
X.XX ± 0.10	CHECK:	DATE:			
X.XXX ± 0.05	DEGK: eng03	DATE: 20150606			

