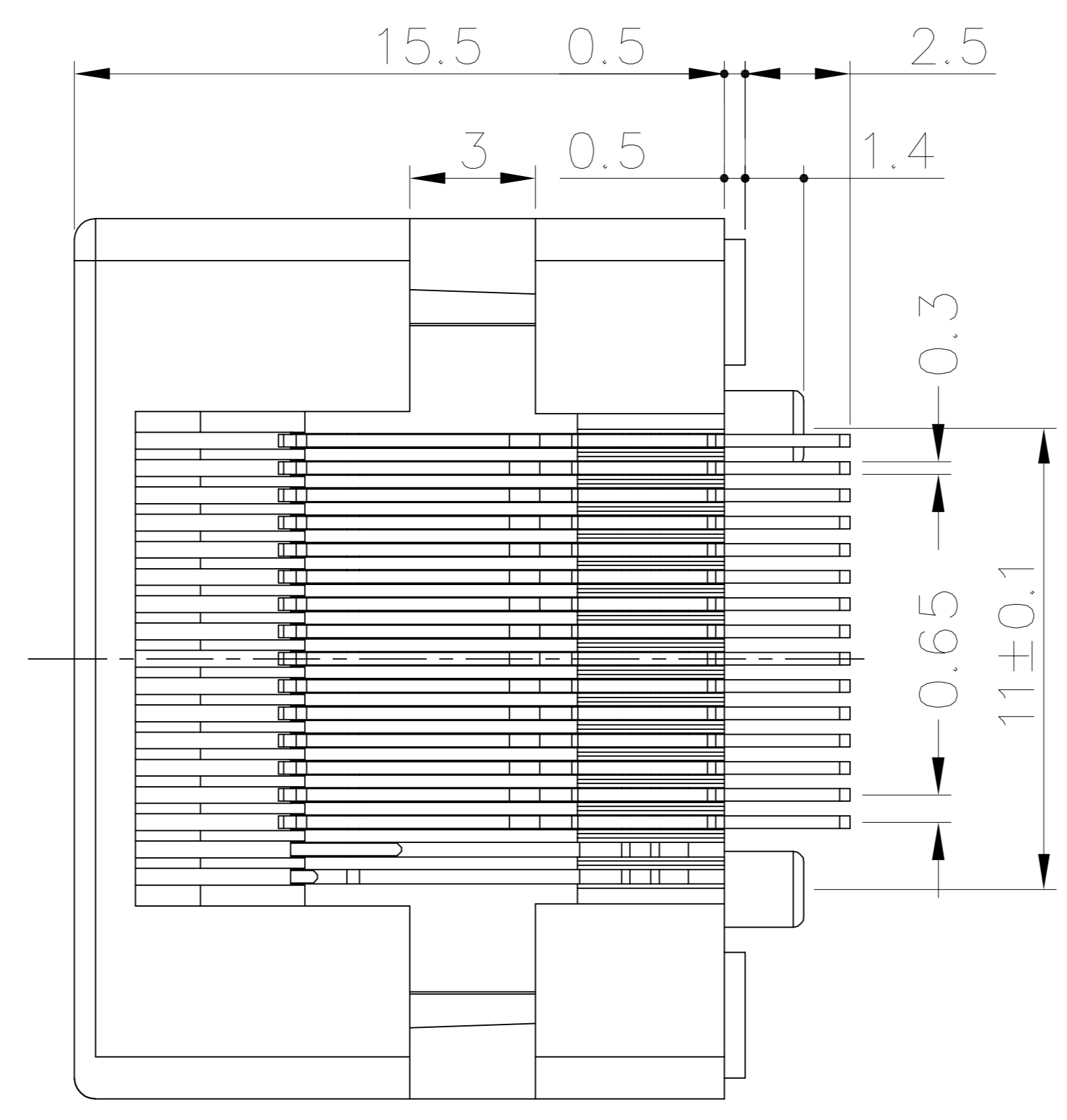
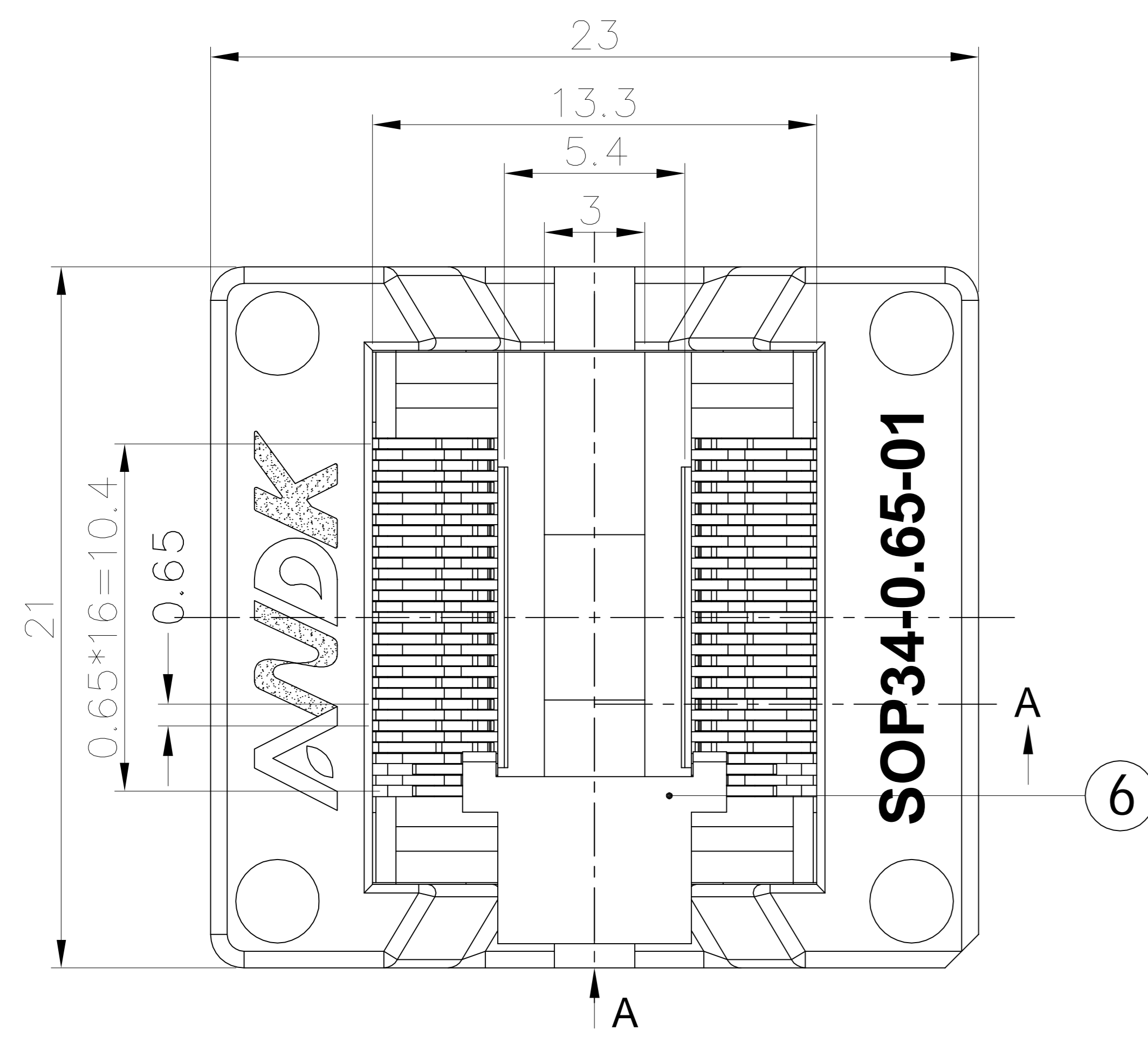
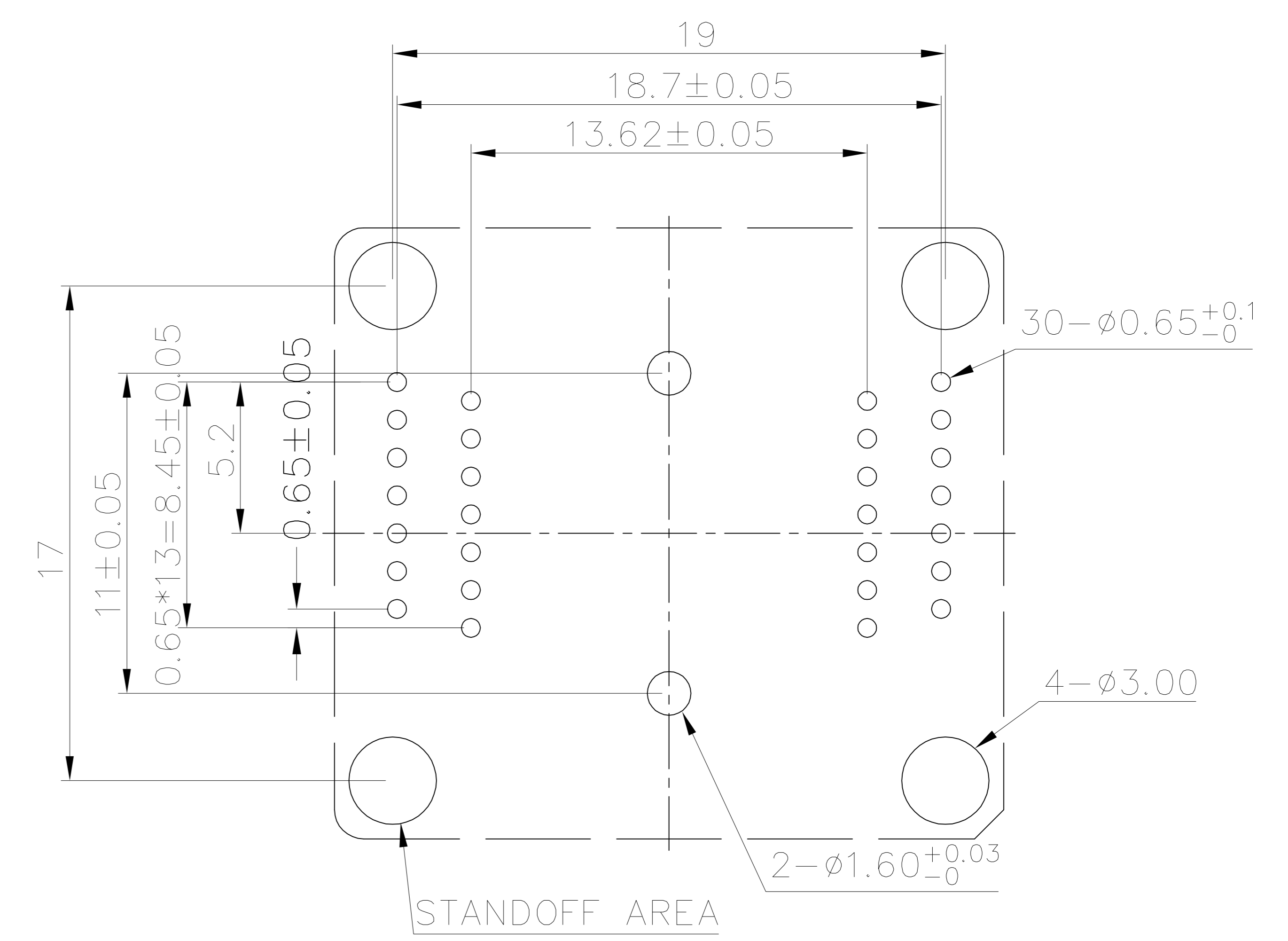


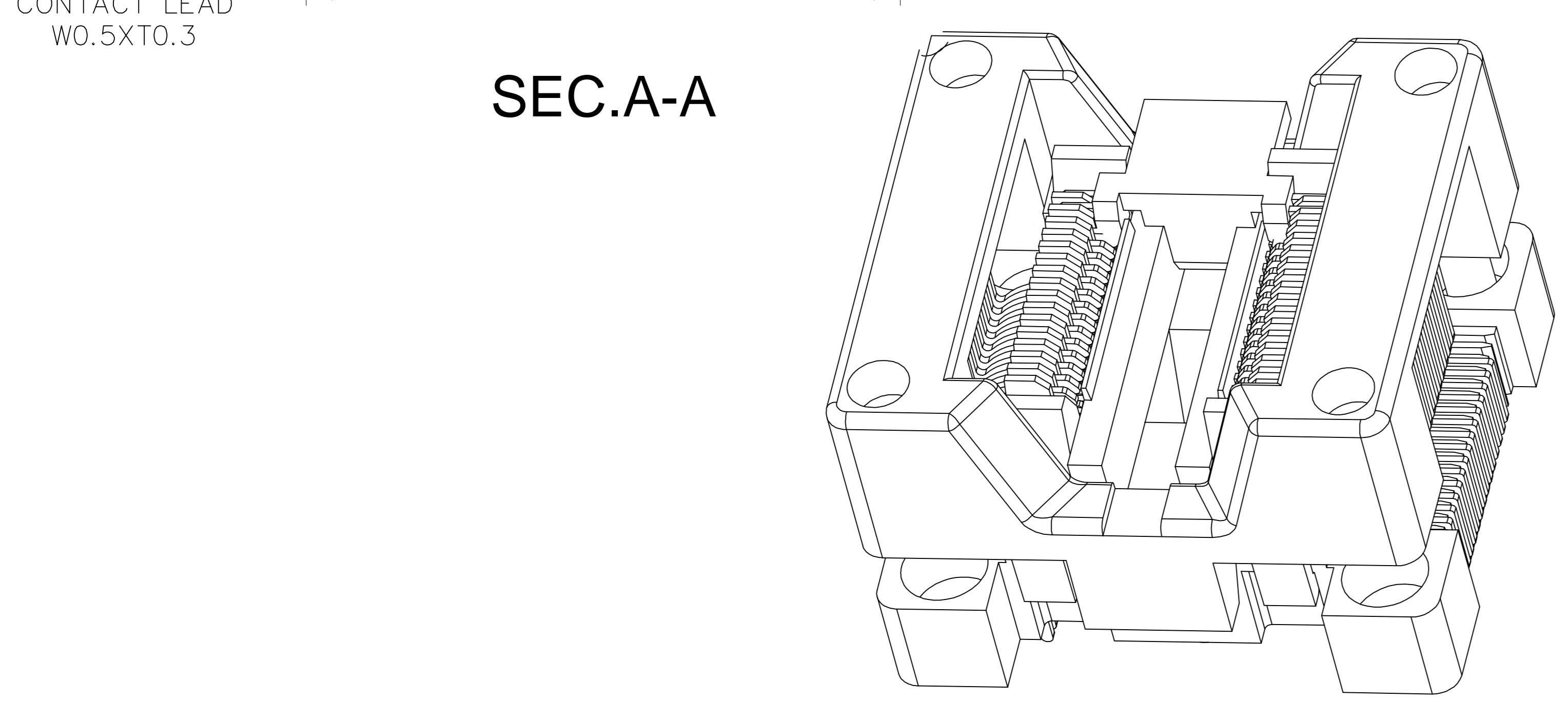
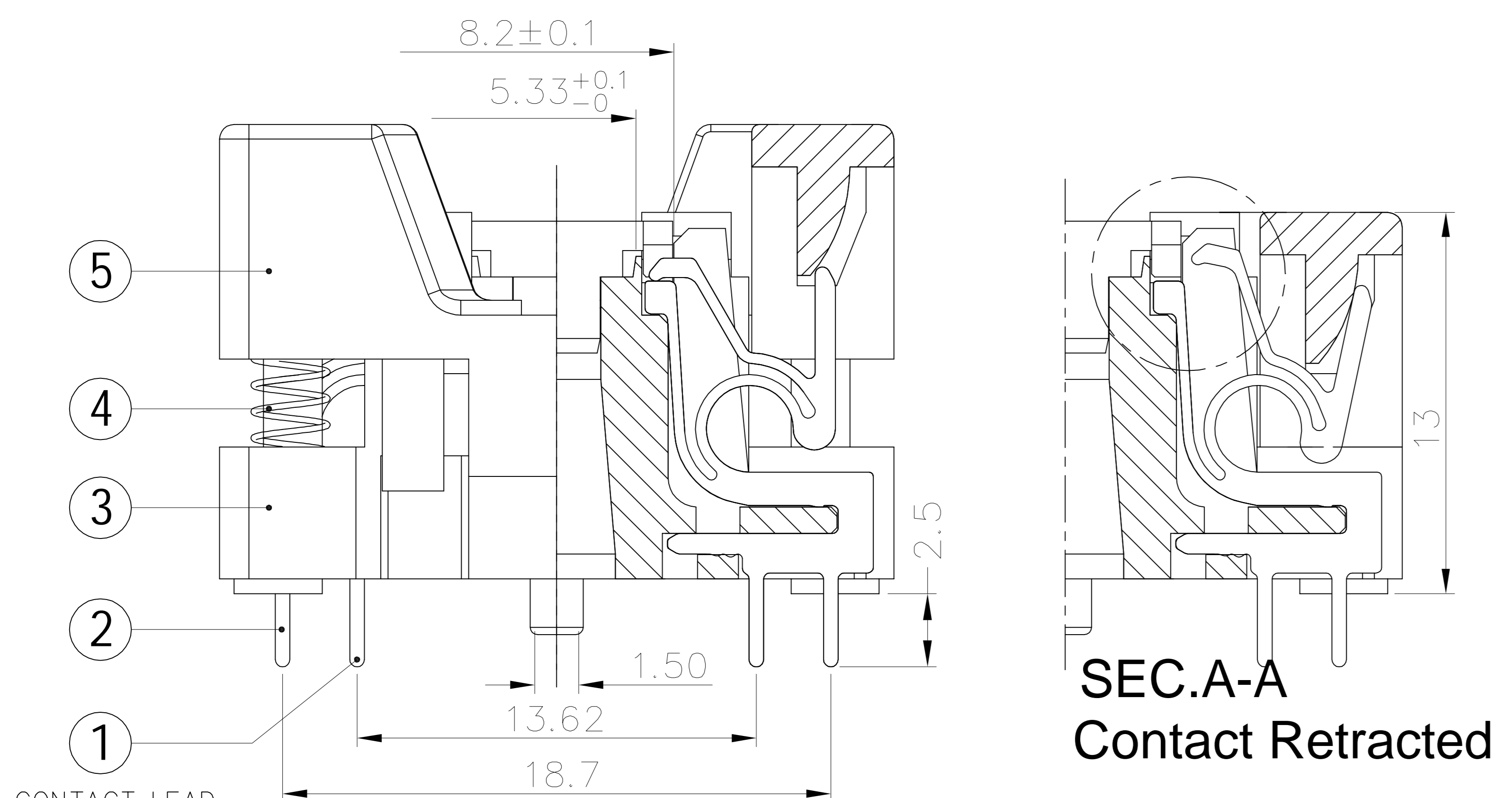
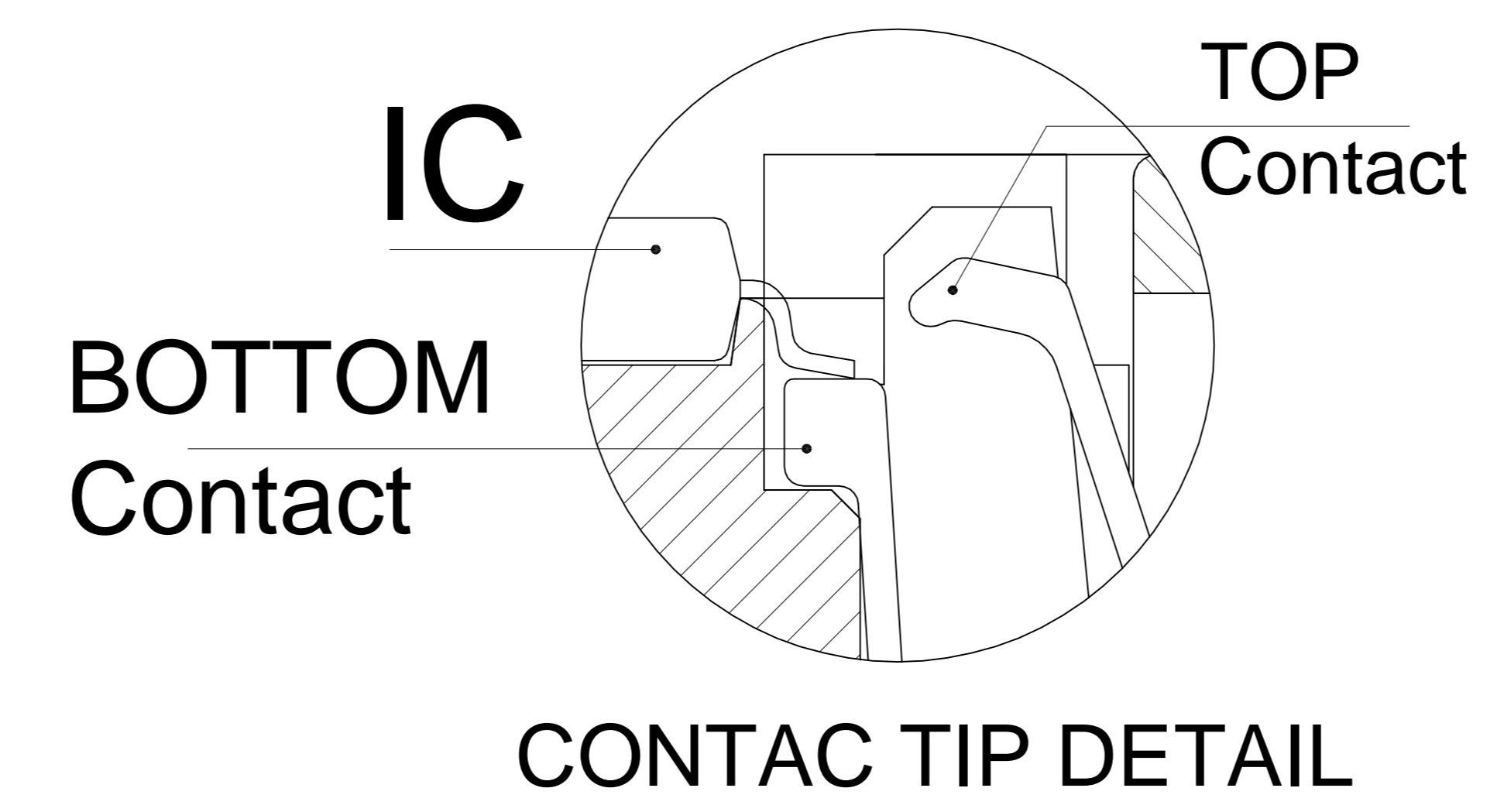
REVISION	DESCRIPTION	CHECK	APP	DATE	REV. NOTICE. NO
△1					
△2					
△3					



**PCB PATTERN (TOP VIEW)**



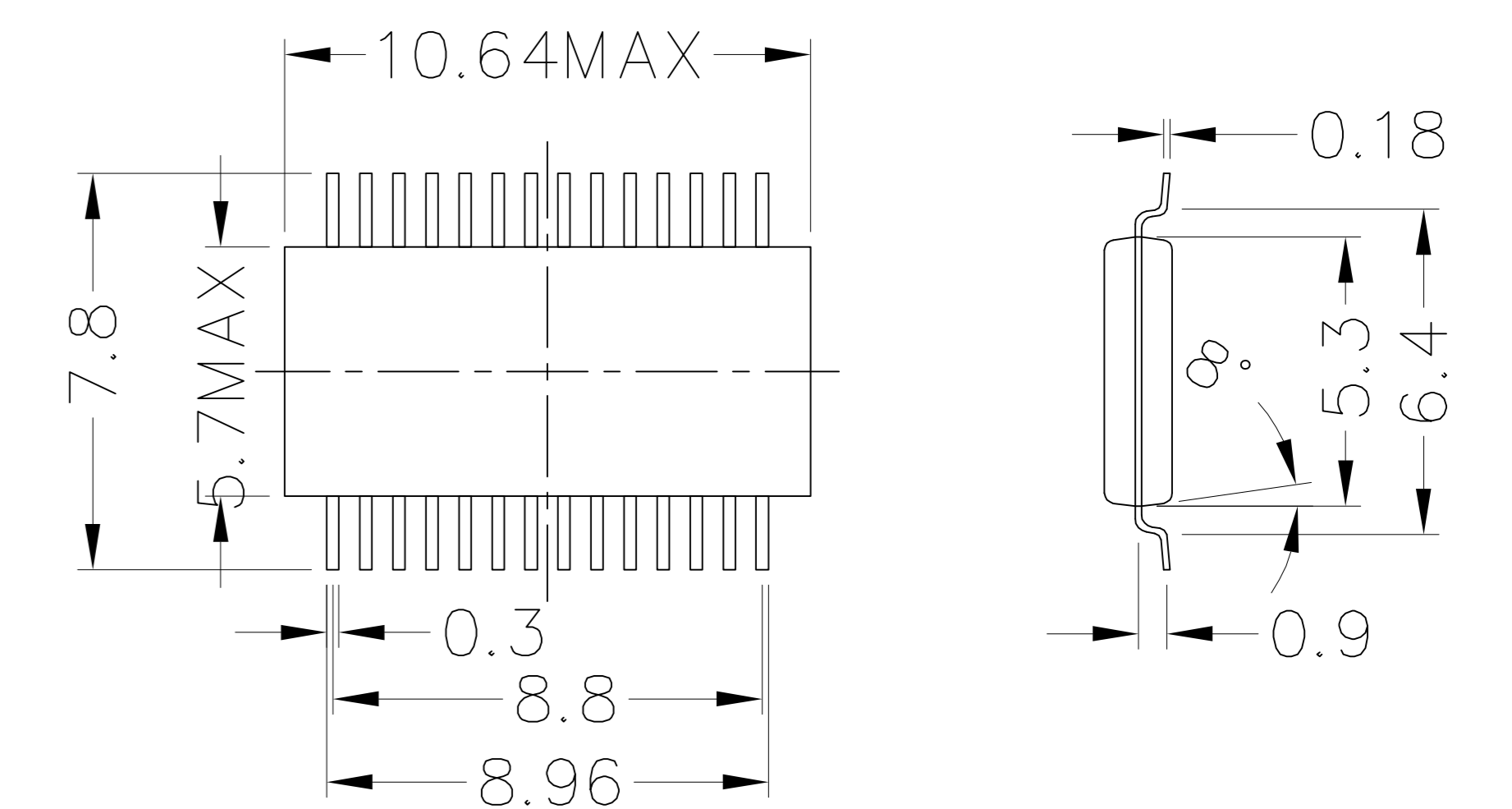
Insertion



**PERFORMANCE**

- 1、Insulation Resistance: 1000mΩ Min.At DC 500V
- 2、Dielectric Withstanding Voltage For 1 Minute At AC 700V
- 3、Contact Resistance 30mΩ MAX. at 10mA and 20mV MAX.(Initial)
- 4、Current Rating: 1A max.
- 5、Operation Temperature -55°C ~+175°C
- 6、Contact Force 5-8g Per Pin (Normal)
- 7、Life Span 15,000 Times (Mechanical)
- 8、Operation Force 1.0 Kg MAX

**APPLICABLE IC**



6	SOP-34-U01-003	ADAPTER	PEI/PES	1	BLACK
5	SOP-34-U01-002	COVER	PEI/PES	1	BLACK
4	30-B-4515X	SPRING	SUS	4	FOR COVER
3	SOP-34-U01-001	BASE	PEI/PES	1	BLACK
2	SOP-34-MSBR-02	CONTACT	BeCu	14	Au PLATING
1	SOP-34-MSBR-01	CONTACT	BeCu	14	Au PLATING
No	Part Number	Name	Material	Q/ty	Note

PROJECTION		GENERAL TOLERANCES ±0.10	TITLE	SOP34-0.65 SOCKET
		REVA	CLASS	SOP-28(34)-0.65-01
DIMENSION:	mm	SCALE:	DRW. NO	SOP-24/28/30/34-0.65-L03
APP:		DATE:		
CHECK:		DATE:		
DEGK:	ENG02	DATE:		